

300mm Barcode & Vision System

RAD-5000VS12

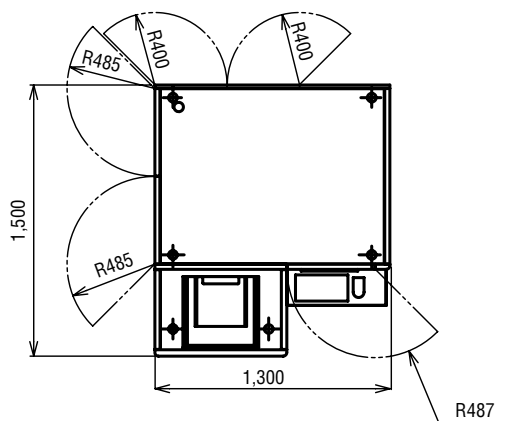


Outline

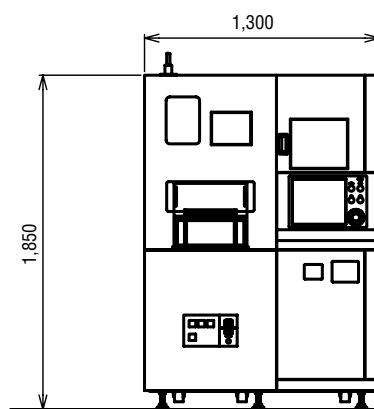
- Fully-automatic barcode label printing and attachment system, used after wafer ID is recognized via monitor.
- Ability to read attached barcode label for checking.
- Ability to operate in-line with Lintec's fully-automatic wafer mounter.

Option ·Host Communication Function (Communication Format :
Conforms to SECS-I and HSMS/Software : Conforms to GEM)

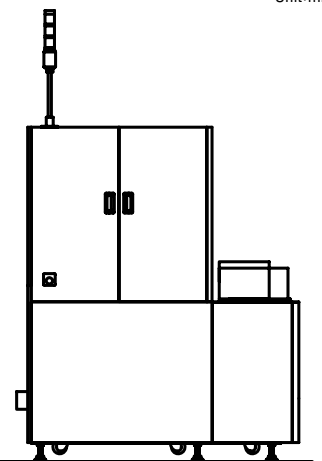
External View



Top View



Front View



Left Side View

Unit:mm

Facility

Power Supply	Voltage	: AC200-230V ±10% (AC190-253V)
	Frequency	: 50/60Hz
	Phase	: single phase
	Power consumption	: 1.0kW
Air Supply	Air pressure	: 0.5-0.8MPa
	Air consumption	: >200L/min (ANR)
Vacuum Supply	Vacuum pressure	: >-80kPa

Applicable Wafer Size

200mm, 300mm

Size

Width : 1,300mm
Depth : 1,500mm
Height : 1,850mm
(excluding the signal tower)

Weight

1,000kg

UPH

80wafers/hour
(This may vary depending on character position and printing frequency.)



LINTEC Corporation *Linking your dreams*

●Head Office:23-23 Honcho, Itabashi-ku, Tokyo 173-0001, Japan

Contact:Advanced Materials Operations Kowa Iidabashi Bldg., 2-1-2 Koraku, Bunkyo-ku,
Tokyo 112-0004, Japan
TEL. +81-3-3868-7737 FAX. +81-3-3868-7726
E-mail:adwill@lintec.co.jp

<http://www.lintec-global.com/>